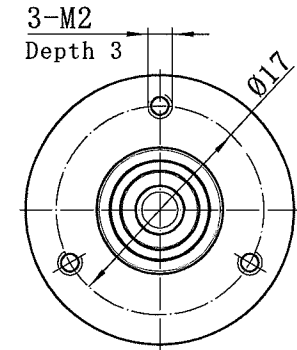
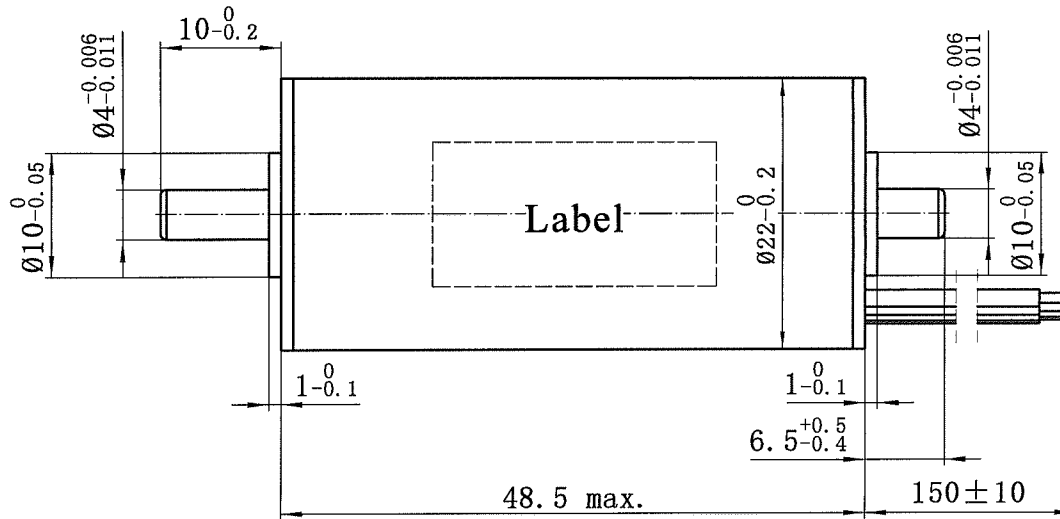
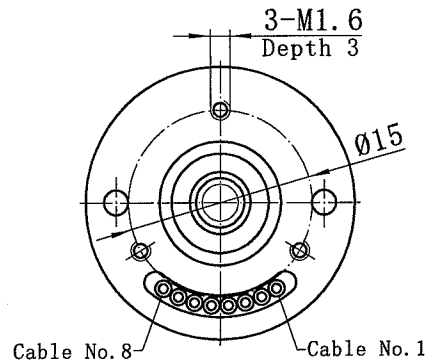


461118000083

(带霍尔传感器)
(With hall sensors)



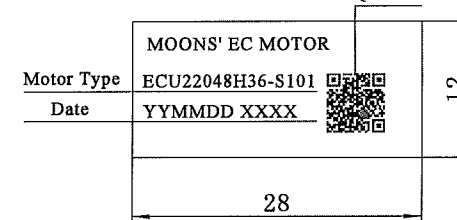
规格/Specifications

| | |
|---|----------------------|
| 额定电压/Nominal voltage | 36V |
| 空载转速/No load speed | 19420±10% rpm |
| 空载电流/No load current | 295±50% mA |
| 额定转速/Nominal speed | 17000rpm |
| 额定转矩/Nominal torque | 21.00mNm |
| 额定电流/Nominal current | 1.12A |
| 最大连续转速/Max.continuous speed | 17660rpm |
| 最大连续转矩/Max.continuous torque | 29.90mNm |
| 最大连续电流/Max.continuous current | 1.62A |
| 堵转转矩/Stall torque | 329 mNm |
| 堵转电流/Stall current | 17.87 A |
| 最大效率/Maximun efficiency | 85.5% |
| 电机极数/Number of poles | 2 |
| 相数/ Number of phases | 3 |
| 相间电阻@20℃/Terminal resistance phase to phase@20℃ | 2.01 Ω |
| 相间电感/Terminal inductance phase to phase | 230.5 μH |
| 转矩常数/Torque constant | 18.4mNm/A |
| 转速常数/Speed constant | 518 rpm/V |
| 速度/转矩常数/Speed/torque gradient | 58.96 rpm/mNm |
| 机械时间常数/Mechanical time constant | 2.29 ms |
| 转子惯量/Rotor inertia | 3.86 gm ² |
| 电机质量/Weight of motor | 110±10%g |
| 绝缘等级/Insulation class | F |
| 防护等级/Ingress protection rating | IP40 |
| 环境温度/Ambient temperature | -40~+100℃ |

Connection (Cable AWG 24)

| Cable No. | 信号/Signal | 颜色/Color |
|-----------|-----------------------------|----------|
| 1 | 电机绕组1/Motor winding 1 | 棕/brown |
| 2 | 电机绕组2/Motor winding 2 | 红/red |
| 3 | 电机绕组3/Motor winding 3 | 橙/orange |
| 4 | V _{Hall} 3...24VDC | 黄/yellow |
| 5 | GND | 绿/green |
| 6 | 霍尔传感器1/Hall IC 1 | 蓝/blue |
| 7 | 霍尔传感器2/Hall IC 2 | 紫/violet |
| 8 | 霍尔传感器3/Hall IC 3 | 灰/grey |

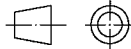
铭牌/Label Detail



备注:1.铭牌内字体为宋体,字高1.5;
2.二维码内包括电机型号与生产日期。

保 密

Unit: mm
第一角画法
FIRST ANGLE METHOD
未注线性与角度尺寸公差
Tolerances for linear and angular dimensions without individual tolerance indications
GB/T 1804-m eqv ISO 2768-1:m
未注形位与位置尺寸公差
Geometrical tolerance for features without individual tolerance indications
GB/T 1184-K eqv ISO 2768-2:K



| | | |
|---------------|-----|------------|
| 批准 Approve | 张文强 | 12.7 |
| 标准化 Standard | 陈海 | 12.7 |
| 工艺 Technology | 陈海 | 12.7 |
| 审核 Check | 唐观松 | 12.7 |
| 设计 Design | 李志辉 | 2018.11.08 |

MOONS'

Slotless Brushless DC Motor

Shanghai Moons' Electric Co., Ltd.

This document is released for information only. Its reproduction in whole or in part or its dissemination to third parties is prohibited. All trademarks and registered trademarks appearing on this document are the property of their respective owners.

| | | | | | | | | | | |
|------|----------------------|------|----------------------------|-------|-----------|------|------------------------|--------|-----------|--------------|
| REV. | 版本记录 REVISION RECORD | DATE | UNLESS OTHERWISE SPECIFIED | NAMES | SIGNATURE | DATE | Type: ECU22048H36-S101 | Rev. A | SCALE 2:1 | SHEET 1 OF 1 |
|------|----------------------|------|----------------------------|-------|-----------|------|------------------------|--------|-----------|--------------|