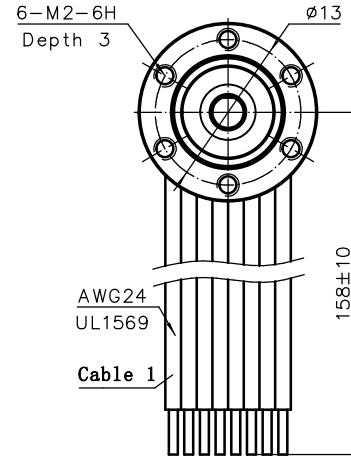


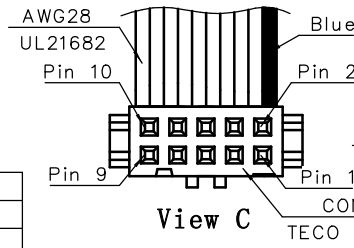
(带霍尔传感器)
(With hall sensors)



Connection of Motor

Cable No.	信号/Signal	颜色/Color
1	U	棕/brown
2	V	红/red
3	W	橙/orange
4	V _{Hall3} ...24 VDC	黄/yellow
5	GND	绿/green
6	Hall 1	蓝/blue
7	Hall 2	紫/voilet
8	Hall 3	灰/grey

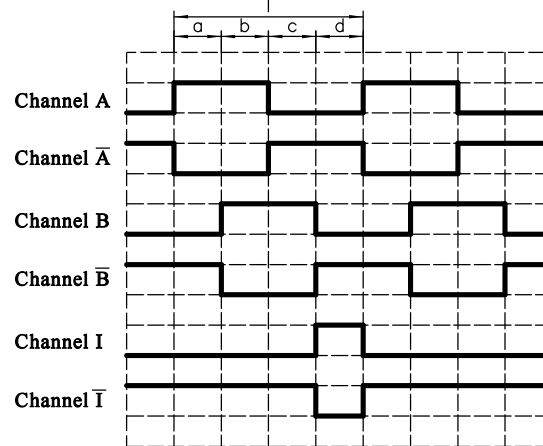
规格/Specifications	Values	Tolerance	Unit
额定电压/Nominal voltage	12	Typical	V
级数/Number of stages (gearhead)	2		
减速比/Reduction ratio (gearhead)	20.95		
空载转速/No load speed	716	±10%	rpm
空载电流/No load current	200	±50%	mA
名义转速/Nominal speed	586	Typical	rpm
最大连续转矩/Max.continuous torque (motor output limit)	183.7	Typical	mNm
最大连续电流/Max.continuous current (motor output limit)	1.49	Typical	A
额定转速/Rated speed	525	Typical	rpm
额定转矩/Rated torque	140	Typical	mNm
额定电流/Rated current	0.97	Typical	A
堵转转矩/Stall torque	1.00	Typical	Nm
堵转电流/Stall current	7.27	Typical	A
最大效率/Maximun efficiency	69.7	Typical	%
电机极数/Number of poles	2		
相数/ Number of phases	3		
相间电阻/Terminal resistance phase to phase	1.65	±8%	Ω
相间电感/Terminal inductance phase to phase	102	Typical	μH
转矩常数/Torque constant	7.70	Typical	mNm/A
转速常数/Speed constant	1240	±10%	rpm/V
质量/Weight	80	±5%	g
环境温度范围/Ambient Temperature	-40~+85		℃
绝缘等级/Insulation class	F		



Connection of Encoder

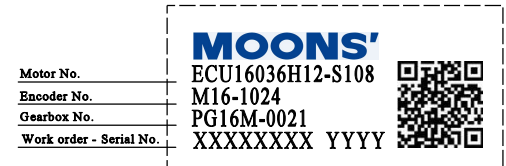
Pin No.	信号/Signal
1	N.C
2	VCC 4.5V-5.5V
3	GND
4	N.C.
5	Channel A
6	Channel A
7	Channel B
8	Channel B
9	Channel I
10	Channel I

输出信号/Output Signal



Direction of rotation: CW (view from shaft end);
a, b, c, d = 90° ± 45°;
Index is aligned with angle commutation zero

铭牌/Label Detail



备注: 1. 铭牌使用激光雕刻在电机表面, 目视水平居中, 框线不打印;
2. 二维码内包括整机型号、生产工单号和序列号;

REV.	版本记录 REVISION RECORD	DATE
A1	EC号: 21-1012 修改4处	2021.06.03
A0	原始版本 Original revision	2021.04.14

Unit: mm
第一角画法
FIRST ANGLE METHOD
未注线性与角度尺寸公差
Tolerances for linear and angular dimensions without individual tolerance indications
GB/T 1804-m eqv ISO 2768-1:m
未注形状与位置尺寸公差
Geometrical tolerance for features without individual tolerance indications
GB/T 1184-K eqv ISO 2768-2:K

批准 Approve	标准化 Standard	工艺 Technology	审核 Check	设计 Design	邵艺峰	2021.06.03
NAMES	SIGNATURE	DATE				

MOONS' Slotless Brushless DC Motor
Shanghai Moons' Electric Co., Ltd.

This document is released for information only. Its reproduction in whole or in part or its dissemination to third parties is prohibited. All trademarks and registered trademarks appearing on this document are the property of their respective owners.