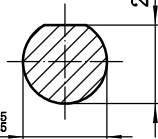
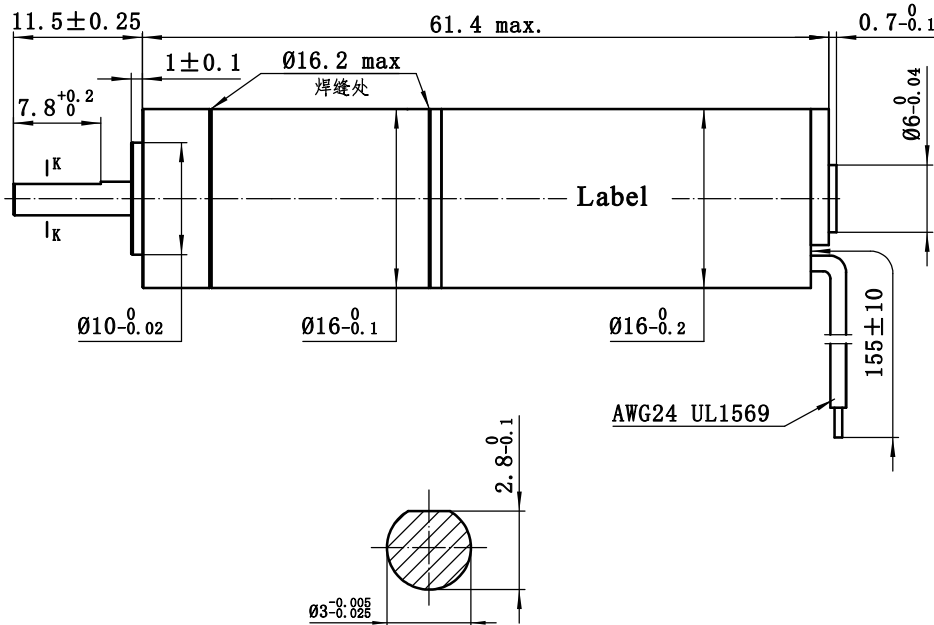
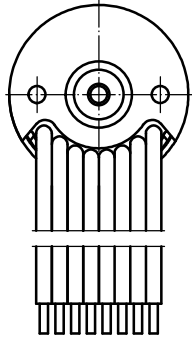
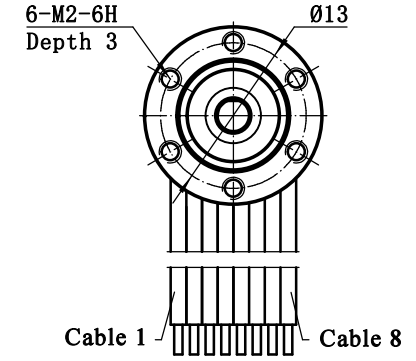


(带霍尔传感器)  
(With hall sensors)



K-K  
5:1



| 规格/Specifications                       | Values  | Tolerance | Unit  |
|-----------------------------------------|---------|-----------|-------|
| 额定电压/Nominal voltage                    | 24      | Typical   | V     |
| 级数/Number of stages (gearhead)          | 3       |           |       |
| 减速比/Reduction ratio (gearhead)          | 171.95  |           |       |
| 空载转速/No load speed                      | 88.5    | ±10%      | rpm   |
| 空载电流/No load current                    | 130     | ±50%      | mA    |
| 额定转速/Rated speed                        | 80      | ±10%      | rpm   |
| 额定转矩/Rated torque                       | 520     | Typical   | mNm   |
| 额定电流/Rated current                      | 0.27    | ±10%      | A     |
| 堵转转矩/Stall torque                       | 8.07    | Typical   | Nm    |
| 堵转电流/Stall current                      | 3.81    | Typical   | A     |
| 最大效率/Maximun efficiency                 | 64      | Typical   | %     |
| 电机极数/Number of poles                    | 2       |           |       |
| 相数/ Number of phases                    | 3       |           |       |
| 相间电阻/Terminal resistance phase to phase | 6.30    | ±8%       | Ω     |
| 相间电感/Terminal inductance phase to phase | 410     | Typical   | μH    |
| 转矩常数/Torque constant                    | 15.4    | Typical   | mNm/A |
| 转速常数/Speed constant                     | 620     | ±10%      | rpm/V |
| 质量/Weight                               | 76      | ±5%       | g     |
| 环境温度范围/Ambient Temperature              | -40~+85 |           | ℃     |
| 绝缘等级/Insulation class                   | F       |           |       |

Connection of Motor

| Cable No. | 信号/Signal                    | 颜色/Color |
|-----------|------------------------------|----------|
| 1         | U                            | 棕/brown  |
| 2         | V                            | 红/red    |
| 3         | W                            | 橙/orange |
| 4         | V <sub>Hall</sub> 3...24 VDC | 黄/yellow |
| 5         | GND                          | 绿/green  |
| 6         | Hall 1                       | 蓝/blue   |
| 7         | Hall 2                       | 紫/voilet |
| 8         | Hall 3                       | 灰/grey   |

铭牌/Label Detail



备注:1.铭牌使用激光雕刻在电机表面, 目视水平居中, 框线不打印;  
2.二维码内包括整机型号、生产工单号和序列号;

| REV. | 版本记录 REVISION RECORD   | DATE       |
|------|------------------------|------------|
| A2   | EC号: 21-1166 修改3处      | 2021.07.15 |
| A1   | EC号: 21-1012 修改9处      | 2021.06.03 |
| A0   | 原始版本 Original revision | 2021.4.20  |

| UNLESS OTHERWISE SPECIFIED                                                                                                                                                                                                                                                                                    | NAMES         | SIGNATURE | DATE       |
|---------------------------------------------------------------------------------------------------------------------------------------------------------------------------------------------------------------------------------------------------------------------------------------------------------------|---------------|-----------|------------|
| Unit: mm<br>第一角画法<br>FIRST ANGLE METHOD<br>未注线性与角度尺寸公差<br>Tolerances for linear and angular dimensions without individual tolerance indications<br>GB/T 1804-m eqv ISO 2768-1:m<br>未注形状与位置尺寸公差<br>Geometrical tolerance for features without individual tolerance indications<br>GB/T 1184-K eqv ISO 2768-2:K | 批准 Approve    |           |            |
|                                                                                                                                                                                                                                                                                                               | 标准化 Standard  |           |            |
|                                                                                                                                                                                                                                                                                                               | 工艺 Technology |           |            |
|                                                                                                                                                                                                                                                                                                               | 审核 Check      |           |            |
|                                                                                                                                                                                                                                                                                                               | 设计 Design     | 邵艺峰       | 2021.07.15 |

**MOONS'** Slotless Brushless DC Motor

**Shanghai Moons' Electric Co., Ltd.**

This document is released for information only. Its reproduction in whole or in part or its dissemination to third parties is prohibited. All trademarks and registered trademarks appearing on this document are the property of their respective owners.

Type: ECU16036H24-S104+PG16M-0172    Rev. A2    SCALE 2:1    SHEET 1 OF 1