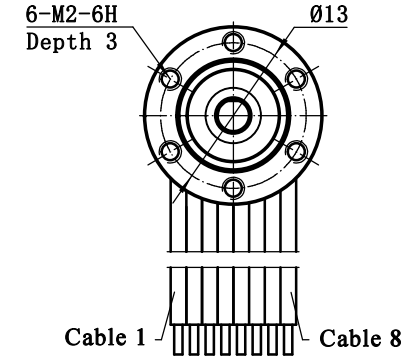
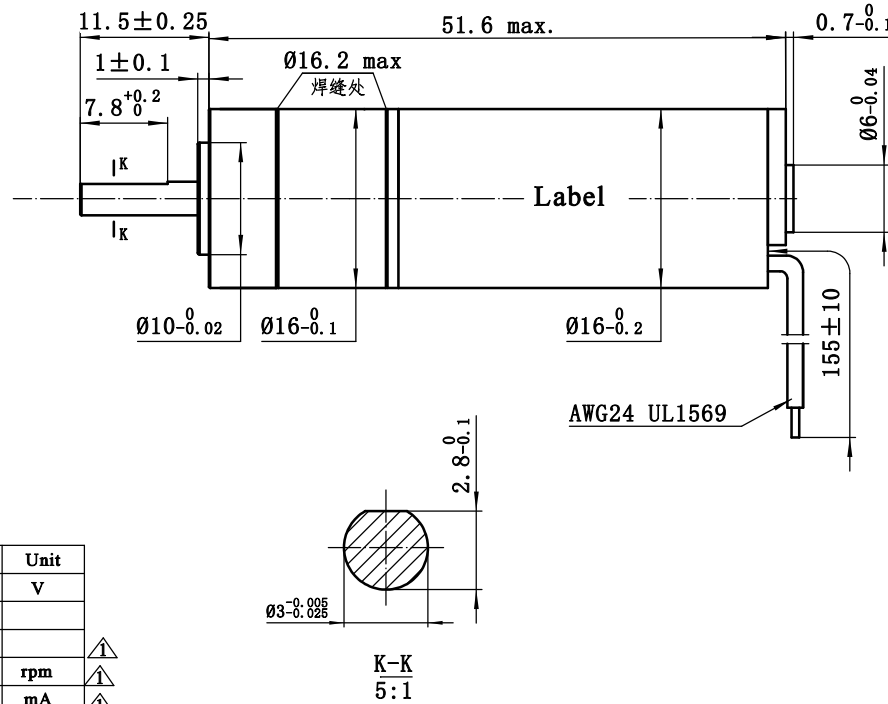
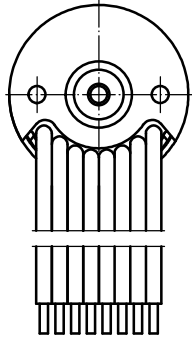


(带霍尔传感器)
(With hall sensors)



规格/Specifications	Values	Tolerance	Unit
额定电压/Nominal voltage	12	Typical	V
级数/Number of stages (gearhead)	1		
减速比/Reduction ratio (gearhead)	3.95		
空载转速/No load speed	3797	±10%	rpm
空载电流/No load current	200	±50%	mA
名义转速/Nominal speed	3108	Typical	rpm
最大连续转矩/Max.continuous torque (motor output limit)	37.46	Typical	mNm
最大连续电流/Max.continuous current (motor output limit)	1.49	Typical	A
额定转速/Rated speed	2785	±10%	rpm
额定转矩/Rated torque	28.65	Typical	mNm
额定电流/Rated current	0.97	±10%	A
最大效率/Maximun efficiency	75.3	Typical	%
堵转转矩/Stall torque	20.57	Typical	Nm
堵转电流/Stall current	7.27	Typical	A
电机极数/Number of poles	2		
相数/ Number of phases	3		
相间电阻/Terminal resistance phase to phase	1.65	±8%	Ω
相间电感/Terminal inductance phase to phase	102	Typical	μH
转矩常数/Torque constant	7.7	Typical	mNm/A
转速常数/Speed constant	1240	±10%	rpm/V
质量/Weight	69	±5%	g
环境温度范围/Ambient Temperature	-40~+85		℃
绝缘等级/Insulation class	F		



Connection of Motor

Cable No.	信号/Signal	颜色/Color
1	U	棕/brown
2	V	红/red
3	W	橙/orange
4	V _{Hall} 3...24 VDC	黄/yellow
5	GND	绿/green
6	Hall 1	蓝/blue
7	Hall 2	紫/voilet
8	Hall 3	灰/grey

铭牌/Label Detail

MOONS'

Motor No. ECU16036H12-S106

Encoder/Gearbox No. PG16M-0004

Work order - Serial No. XXXXXXXX YYYY

备注: 1. 铭牌使用激光雕刻在电机表面, 目视水平居中, 框线不打印;
2. 二维码内包括整机型号、生产工单号和序列号;

REV.	版本记录 REVISION RECORD	DATE
A1	EC:21-1012 修改: 9处	2021.06.03
A0	原始版本 Original revision	2021.4.22

Unit: mm	批准 Approve	标准化 Standard	工艺 Technology	审核 Check	设计 Design	邵艺峰	2021.06.03
第一角画法 FIRST ANGLE METHOD							
未注线性与角度尺寸公差 Tolerances for linear and angular dimensions without individual tolerance indications GB/T 1804-m eqv ISO 2768-1:m							
未注形状与位置尺寸公差 Geometrical tolerance for features without individual tolerance indications GB/T 1184-K eqv ISO 2768-2:K							
UNLESS OTHERWISE SPECIFIED	NAMES	SIGNATURE	DATE				

MOONS' Slotless Brushless DC Motor

Shanghai Moons' Electric Co., Ltd.

This document is released for information only. Its reproduction in whole or in part or its dissemination to third parties is prohibited. All trademarks and registered trademarks appearing on this document are the property of their respective owners.

Type: ECU16036H12-S106+PG16M-0004	Rev. A1	SCALE 2:1	SHEET 1 OF 1
-----------------------------------	---------	-----------	--------------