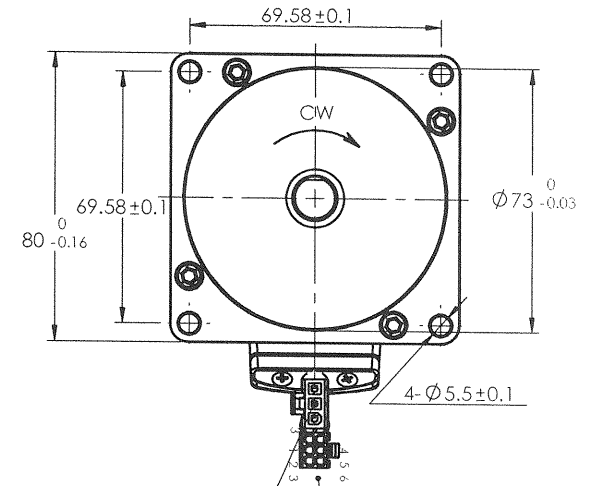
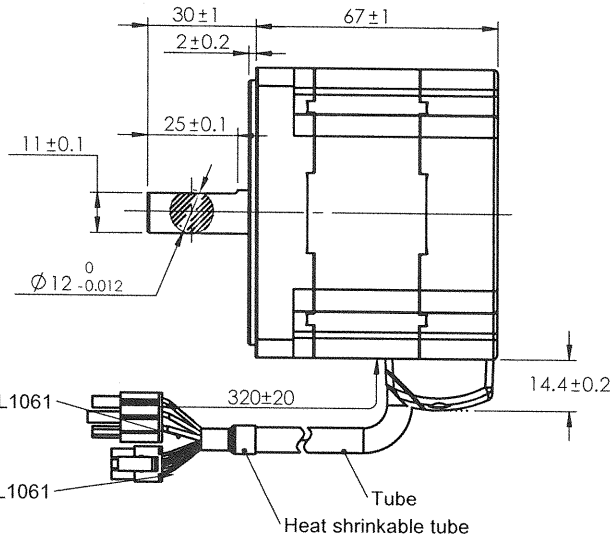
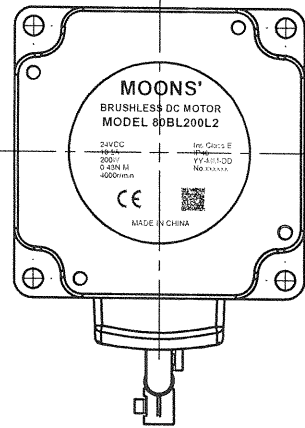


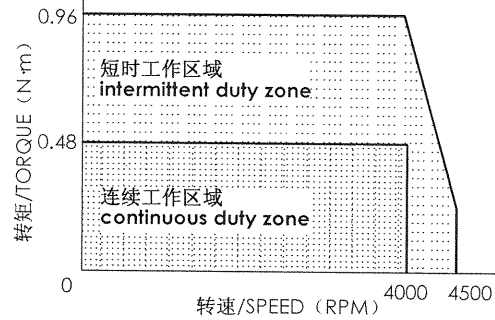
4611130000078



规格 Specifications

1	额定电压/Rated power supply	24	VDC
2	额定输出功率/Rated output power	200	W
3	极数/Poles number	8	
4	相数/Phase number	3	
5	额定转速/Rated rotational speed	4000	RPM
6	最大转速/Maximum speed	4500	RPM
7	额定转矩/Rated torque	0.48	N · m
8	额定电流/Rated winding current	10.2	A
9	线反电势系数/Voltage constant±10%	3.38	Vrms/krpm
10	惯量/Moment of inertia	0.74x10 ⁻⁴	kg · m ²
11	线电阻Ph/ph resistance±0.02 Ω at 20℃	0.08	Ω
12	线电感Ph/ph inductance±30% at 1KHz 20℃	0.18	mH
13	电机质量/Motor mass	1.56	kg
14	绝缘等级/Insulation class	E	120℃
15	防护等级/Protective enclosure rating	IP40	

转矩-转速特性 Torque-speed specifications



Housing: MOLEX 39-01-4031 (White)
Terminal: MOLEX 39-00-0207

Housing: MOLEX 43025-0600 (Black)
Terminal: MOLEX 43030-0005

Pin No.	线色 COLOR	定义 FUNCTION
1	红/red	VCC (-5V)
3	黄/yellow	Hv
4	蓝/blue	Hw
2	橙/orange	U
5	黑/black	GND
6	橙/orange	Hu

Unit: mm

第一角画法 FIRST ANGLE METHOD

未注线性与角度尺寸公差 Tolerances for linear and angular dimensions without individual tolerance indications GB/T 1804-m eqv ISO 2768-1 : m

未注形状与位置尺寸公差 Geometrical tolerance for features without individual tolerance indications GB/T 1184-K eqv ISO 2768-2 : K

批准 Approve

标准化 Standard

工艺 Technology

审核 Check

设计 Design

MOONS'

Shanghai Moons' Electric Co., Ltd.

BRUSHLESS DC MOTOR

This document is released for information only. Its reproduction in whole or in part or its dissemination to third parties is prohibited. All trademarks and registered trademarks appearing on this document are the property of their respective owners.

G		
F		
E		
D		
F	C 黑/black-W、白/white-U	2014.04.18
B	更新版本 Revision updated	2013.10.16
A	原始版本 Original revision	2013.06.03
REV.	版本记录 REVISION RECORD	DATE

UNLESS OTHERWISE SPECIFIED

NAMES

SIGNATURE

DATE

Type: 80BL200L2

Rev. C

SCALE 1:2 Sheet 1 of 1