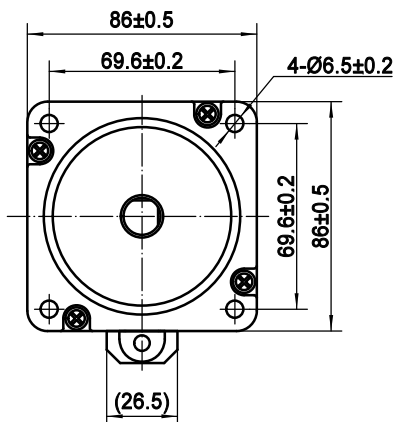
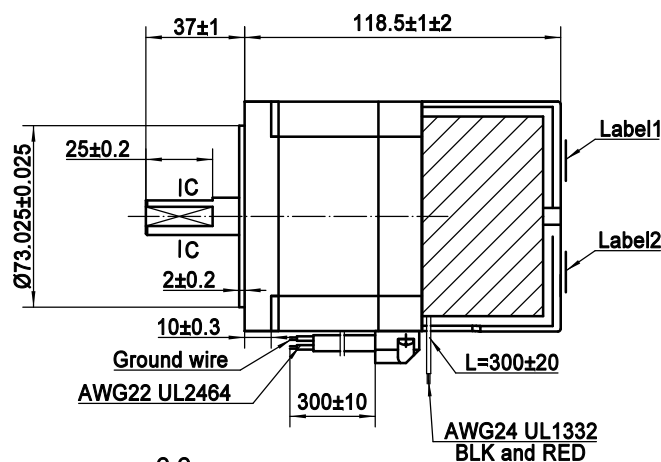
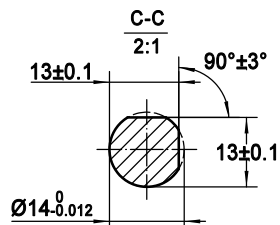
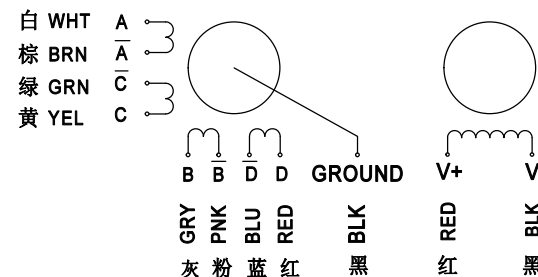


4611110015534

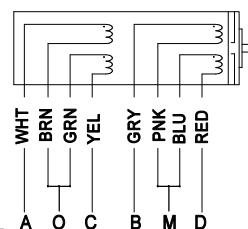


接线图
Wiring Diagram

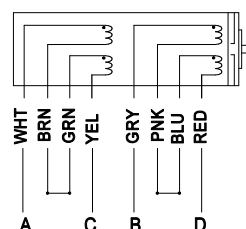


接线顺序图 Connection Diagram

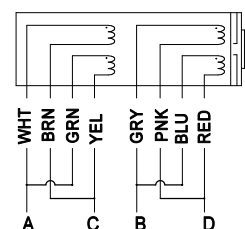
单极性
Uni-polar



双极性串联
Bi-polar series



双极性并联
Bi-polar parallel



规格 Specifications

相数 Number of Phase	4
步距角 Step Angle	1.8°
转子惯量 Rotor Inertia	1100g.cm ²
电机重量 Motor Weight	2200g
绝缘等级 Insulation Class	B(130°C)

制动器规格 Brake Specifications

额定力矩 Rated Torque(Nm)	5
额定电压 Rated Voltages(VDC)	24
制动时间 Set Time(ms)	30

规格 Specification	相数 Number of phase	每相电阻 欧姆±10% Resistance per phase ohm±10%	每相电感 毫亨±20% Inductance per phase mH±20%	额定电流 安培 Rated current A	额定电压 伏特 Rated voltage V	保持力矩(中心值) 牛顿·米(盎司·英寸) Holding torque N.m(oz.in) Typ.
接线方式 Connection						
单极性 Uni-polar	4	1.7	7.7	2.5	4.25	3.1(439)
双极性串联 Bi-polar series	2	3.4	30.8	1.8	5.95	4.2(595)
双极性并联 Bi-polar parallel	2	0.85	7.7	3.6	2.98	4.2(595)

铭牌1 Label1

MOONS' STEPPING MOTOR
TYPE AM34HD0802-BR01
DATE YY/MM/DD

Date Format
日期格式

励磁顺序vs.旋转方向 Exciting Sequence vs. Direction of Rotation

单极性整步
Uni-polar full step

STEP	A	B	C	D	O	M	
1	-	-			+	+	ccw
2		-	-		+	+	
3			-	-	+	+	
4	-			-	+	+	ccw

双极性整步
Bi-polar full step

STEP	A	B	C	D	
1	+	+	-	-	ccw
2	-	+	+	-	
3	-	-	+	+	
4	+	-	-	+	ccw

从安装面看为顺时针方向
Clockwise view from mounting side

铭牌2 Label2



Unit: mm
第一角画法
FIRST ANGLE METHOD
未注线性与角度尺寸公差
Tolerances for linear and angular dimensions without individual tolerance indications
GB/T 1804-m eqv ISO 2768-1 : m
未注形状与位置尺寸公差
Geometrical tolerance for features without individual tolerance indications
GB/T 1184-K eqv ISO 2768-2 : K

批准 Approve	
标准化 Standard	
工艺 Technology	
审核 Check	
设计 Design	

MOONS'

Hybrid Stepping Motor

SHANGHAI AMP & MOONS' AUTOMATION CO.,LTD

This document is released for information only. Its reproduction in whole or in part or its dissemination to third parties is prohibited. All trademarks and registered trademarks appearing on this document are the property of their respective owners.

REV.	版本记录 REVISION RECORD	DATE	UNLESS OTHERWISE SPECIFIED	NAMES	SIGNATURE	DATE	Type: AM34HD0802-BR01	Rev.A	SCALE 1:2	Sheet 1 of 1
------	----------------------	------	----------------------------	-------	-----------	------	-----------------------	-------	-----------	--------------