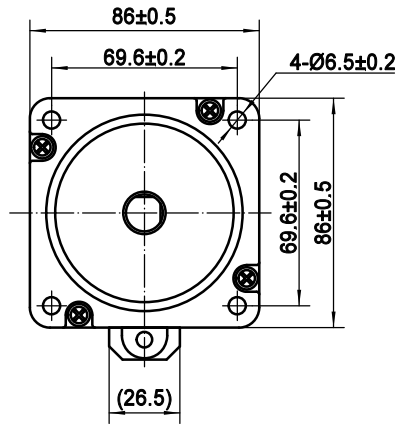
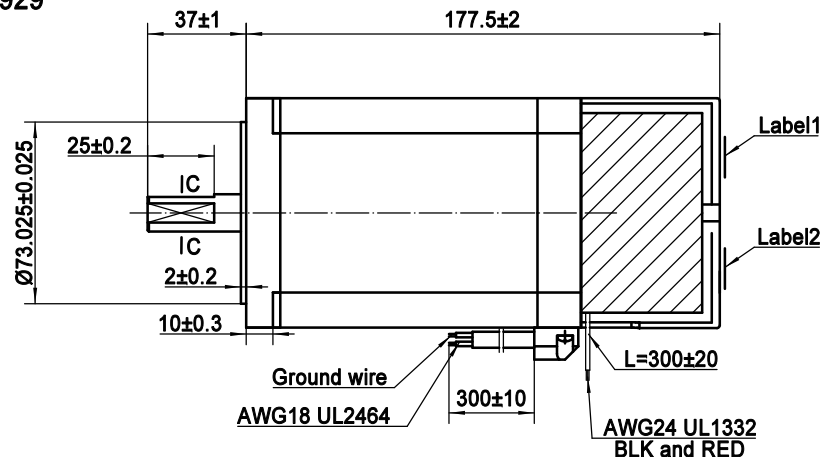
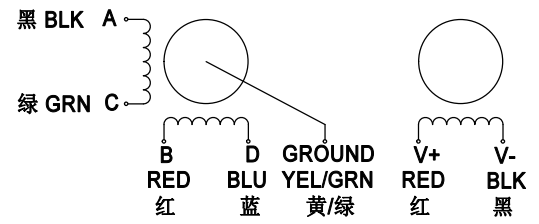


4611110014929



接线图

Wiring Diagram



励磁顺序 vs. 旋转方向

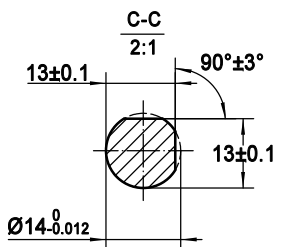
Exciting Sequence vs. Direction of Rotation

STEP	A	B	C	D	
1	+	+	-	-	CCW ↑ CW
2	-	+	+	-	
3	-	-	+	+	
4	+	-	-	+	

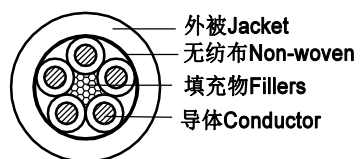
从安装面看为顺时针方向
Clockwise view from mounting side

规格 Specifications

1. 相数 Number of Phase	2
2. 步距角 Step Angle	1.8°
3. 额定电压 Rated Voltage	2.74 V DC
4. 额定电流 Rated Current	7 Amp
5. 保持力矩 Holding Torque	9.4 N.m Typ.(Two phase on/rated current)
6. 相电阻 Phase Resistance	0.49 ±0.1ohm(20°C)
7. 相电感 Phase Inductance	5.8 mH±20%(1kHz 1V rms)
8. 转子惯量 Rotor Inertia	2750g.cm ²
9. 电机重量 Motor Weight	4.4 kg
10. 绝缘等级 Insulation Class	B(130°C)



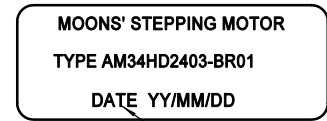
电缆线断面
Cable section



制动器规格 Brake Specifications

额定力矩 Rated Torque(Nm)	5
额定电压 Rated Voltages(VDC)	24
制动时间 Set Time(ms)	30

铭牌1 Label1



Date Format
日期格式

铭牌2 Label2



Unit: mm
第一角画法
FIRST ANGLE METHOD
未注线性与角度尺寸公差
Tolerances for linear and angular dimensions without individual tolerance indications
GB/T 1804-m eqv ISO 2768-1 : m
未注形状与位置尺寸公差
Geometrical tolerance for features without individual tolerance indications
GB/T 1184-K eqv ISO 2768-2 : K

批准 Approve	
标准化 Standard	
工艺 Technology	
审核 Check	
设计 Design	

MOONS' Hybrid Stepping Motor
SHANGHAI AMP & MOONS' AUTOMATION CO.,LTD
This document is released for information only. Its reproduction in whole or in part or its dissemination to third parties is prohibited. All trademarks and registered trademarks appearing on this document are the property of their respective owners.

REV.	版本记录 REVISION RECORD	DATE	UNLESS OTHERWISE SPECIFIED	NAMES	SIGNATURE	DATE	Type: AM34HD2403-BR01	Rev.A	SCALE 1:2	Sheet 1 of 1
------	----------------------	------	----------------------------	-------	-----------	------	-----------------------	-------	-----------	--------------