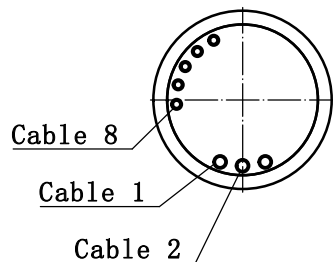
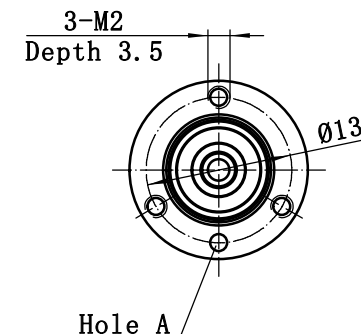
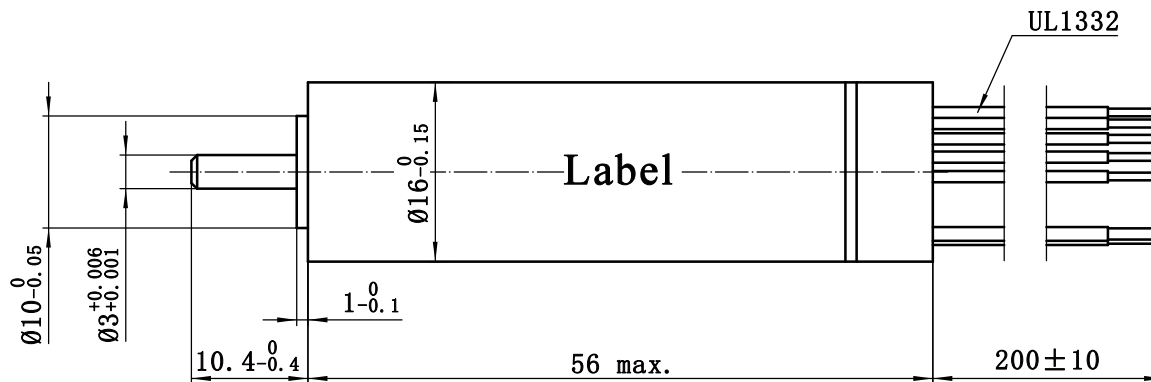


(带霍尔传感器)
(With hall sensors)



注: Cable 2与Hole A对齐, 偏差±25°以内。

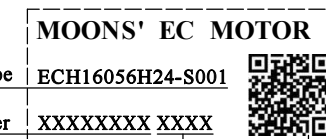


规格/Specifications	Values	Tolerance	Unit
额定电压/Nominal voltage	24	Typical	V
空载转速/No load speed	45200	±10%	rpm
空载电流/No load current	575	±50%	mA
名义转速/Nominal speed	42700	Typical	rpm
最大连续转矩/Max.continuous torque	15.0	Typical	mNm
最大连续电流/Max.continuous current	3.59	Typical	A
额定转速/Rated speed	41000	±10%	rpm
额定转矩/Rated torque	8.0	Typical	mNm
额定电流/Rated current	1.74	±10%	A
堵转转矩/Stall torque	306.1	Typical	mNm
堵转电流/Stall current	61.5	Typical	A
最大效率/Maximun efficiency	88.7	Typical	%
电机极数/Number of poles	2		
相数/ Number of phases	3		
相间电阻/Terminal resistance phase to phase@20℃	0.39	±8%	Ω
相间电感/Terminal inductance phase to phase	35.2	Typical	μH
转矩常数/Torque constant	4.97	Typical	mNm/A
转速常数/Speed constant	1920	±10%	rpm/V
机械时间常数/Mechanical time constant	1.12	Typical	ms
转子惯量/Rotor inertia	0.71	Typical	gcm ²
电机质量/Weight	67.5	±5%	g
使用温度范围/Ambient Temperature	-40~+100		℃
绝缘等级/Insulation class	F		

Connection (motor & sensors)

Cable No.	信号/Signal	颜色/Color	线规/Wire gage
1	电机绕组1/Motor winding 1	红/red	AWG 22
2	电机绕组2/Motor winding 2	黑/black	
3	电机绕组3/Motor winding 3	白/white	
4	V _{Hall} 3...24VDC	橙/orange	AWG 26
5	GND	蓝/blue	
6	霍尔传感器1/Hall IC 1	黄/yellow	
7	霍尔传感器2/Hall IC 2	棕/brown	
8	霍尔传感器3/Hall IC 3	灰/grey	

铭牌/Label Detail



Motor Type

ECH16056H24-S001

Work order

XXXXXXXX XXXX

Serial Number

QR Code

备注:1.虚线框为激光标签大致区域, 框线不打印;
2.二维码内包括电机型号、生产工单号和序列号。

G		
F		
E		
D		
C		
B		
A	原始版本 Original revision	2020.04.16
REV.	版本记录 REVISION RECORD	DATE

Unit: mm
第一角画法
FIRST ANGLE METHOD
未注线性与角度尺寸公差
Tolerances for linear and angular dimensions without individual tolerance indications
GB/T 1804-m eqv ISO 2768-1: m
未注形状与位置尺寸公差
Geometrical tolerance for features without individual tolerance indications
GB/T 1184-K eqv ISO 2768-2: K

批准 Approve		
标准化 Standard		
工艺 Technology		
审核 Check		
设计 Design	林初夏	2020.04.16
NAMES	SIGNATURE	DATE

MOONS' Slotless Brushless DC Motor

Shanghai Moons' Electric Co., Ltd.

This document is released for information only. Its reproduction in whole or in part or its dissemination to third parties is prohibited. All trademarks and registered trademarks appearing on this document are the property of their respective owners.

Type: ECH16056H24-S001 Rev. A SCALE 2:1 SHEET 1 OF 1