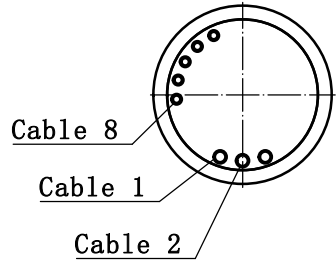
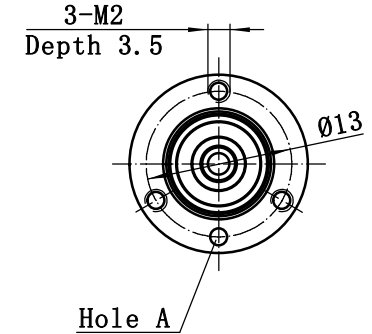
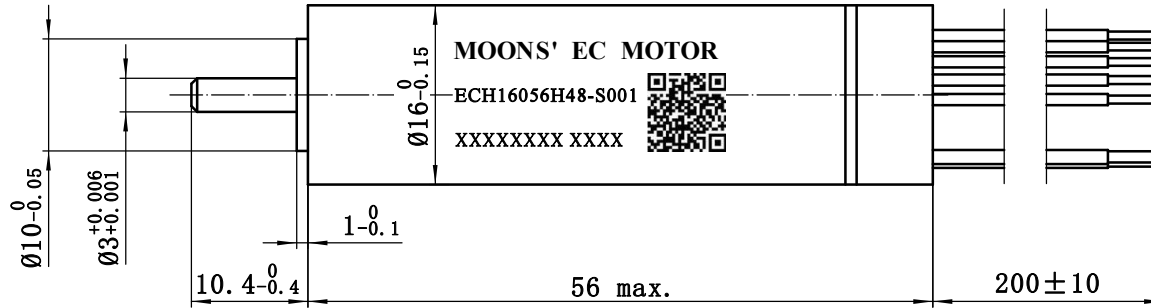


(带霍尔传感器)
(With hall sensors)



注: Cable 2与Hole A对齐, 偏差±25°以内。



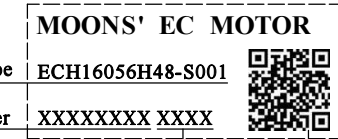
规格/Specifications

额定电压/Nominal voltage	48 V
空载转速/No load speed	44800 rpm±10%
空载电流/No load current	530 mA±50%
最大持续转矩/Max. continuous torque	13.0 mNm
最大持续电流/Max. continuous current	1.80 A
额定转速/Nominal speed	43400 rpm
额定转矩/Nominal torque	7.5 mNm
额定电流/Nominal current	0.93 rpm
堵转转矩/Stall torque	310.3 mNm
堵转电流/Stall current	30.38 A
最大效率/Maximun efficiency	87%
电机极数/Number of poles	2
相数/ Number of phases	3
相间电阻@20℃/Terminal resistance phase to phase@20℃	1.58 Ω±10%
相间电感/Terminal inductance phase to phase	151 μH
转矩常数/Torque constant	10.21 mNm/A
转速常数/Speed constant	935 rpm/V
速度/转矩常数/Speed/torque gradient	145 rpm/mNm
机械时间常数/Mechanical time constant	1.08 ms
转子惯量/Rotor inertia	0.71 gcm ²
电机质量/Weight of motor	68g±10%
绝缘等级/Insulation class	F
防护等级/Ingress protection rating	IP40
环境温度/Ambient temperature	-40~+100℃

Connection (motor & sensors)

Cable No.	信号/Signal	颜色/Color	线规/Wire gage
1	电机绕组1/Motor winding 1	红/red	AWG 22
2	电机绕组2/Motor winding 2	黑/black	
3	电机绕组3/Motor winding 3	白/white	
4	V _{Hall} 3...24VDC	橙/orange	AWG 26
5	GND	蓝/blue	
6	霍尔传感器1/Hall IC 1	黄/yellow	
7	霍尔传感器2/Hall IC 2	棕/brown	
8	霍尔传感器3/Hall IC 3	灰/grey	

激光标签信息/Label Detail



Motor Type ECH16056H48-S001

Work order XXXXXXXX XXXX

Serial Number

QR Code

备注:1.虚线框为激光标签区域, 框线不打印;
2.二维码内包括电机型号、生产工单号和序列号。

G		
F		
E		
D		
C		
B		
A	原始版本 Original revision	2019.06.24
REV.	版本记录 REVISION RECORD	DATE

Unit: mm
第一角画法
FIRST ANGLE METHOD

未注线性与角度尺寸公差
Tolerances for linear and angular dimensions without individual tolerance indications
GB/T 1804-m eqv ISO 2768-1:m

未注形状与位置尺寸公差
Geometrical tolerance for features without individual tolerance indications
GB/T 1184-K eqv ISO 2768-2:K

批准 Approve		
标准化 Standard		
工艺 Technology		
审核 Check		
设计 Design	林初夏	2019.06.24
NAMES	SIGNATURE	DATE

MOONS' Slotless Brushless DC Motor

Shanghai Moons' Electric Co., Ltd.

This document is released for information only. Its reproduction in whole or in part or its dissemination to third parties is prohibited. All trademarks and registered trademarks appearing on this document are the property of their respective owners.

Type: ECH16056H48-S001 Rev. A SCALE 2:1 SHEET 1 OF 1